

ALTO 4 - Regulator



BSPP female thread

G 3/4

Flow rate (l/min at 7 bar ?P : 1bar)

5000

Operating pressure (bar)

Inlet: 15 Outlet: 0.5-10

Temperature

+5°C to +50 °C

Construction

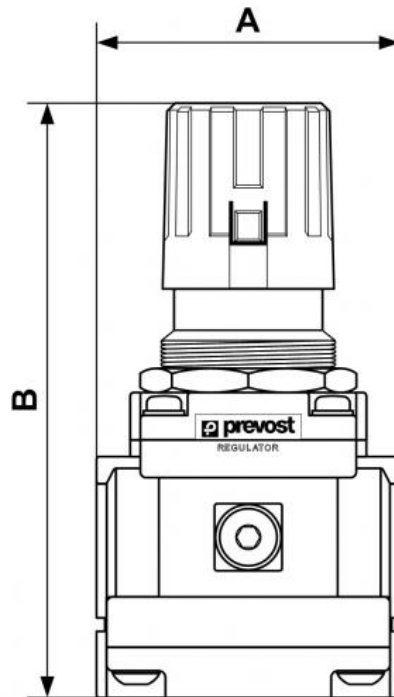
Body : Aluminium
Polycarbonate bowl with
metallic protection

Equipped with

Manual drain

Description

Reference	BSPP female thread	Flow rate (l/min at 7 bar ΔP : 1bar)	Operating pressure (bar)
TR 4	G 3/4	5000	Inlet: 15 Outlet: 0.5-10
TR 5	G 1	6000	Inlet: 15 Outlet: 0.5-10



Dimensions

Reference	A mm	B mm
TR 4	90	177
TR 5	90	177